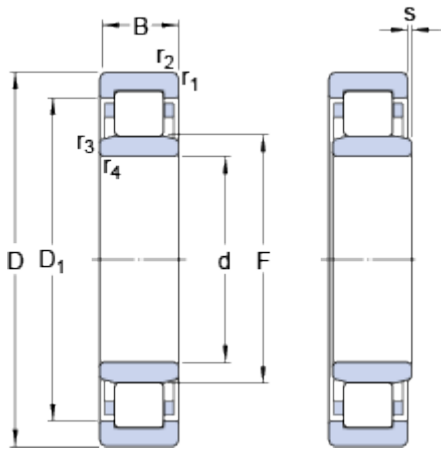


# NU 2311 ECP

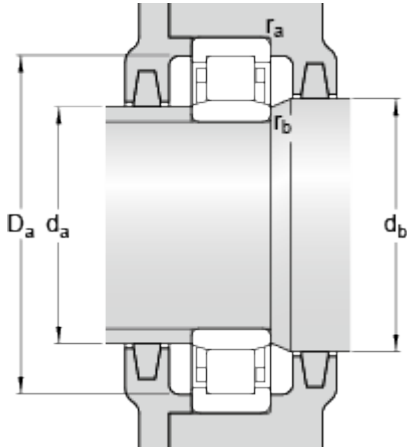
SKF Explorer

## Dimensions



d		55	mm
D		120	mm
B		43	mm
D <sub>1</sub>	≈	100.3	mm
F		70.5	mm
r <sub>1,2</sub>	min.	2	mm
r <sub>3,4</sub>	min.	2	mm
s	max.	3.5	mm

## Abutment dimensions



d <sub>a</sub>	min.	65	mm
d <sub>a</sub>	max.	68	mm
d <sub>b</sub>	min.	73	mm
D <sub>a</sub>	max.	109.2	mm
r <sub>a</sub>	max.	2	mm
r <sub>b</sub>	max.	2	mm

## Calculation data

Basic dynamic load rating	C	232	kN
Basic static load rating	C	232	kN
Fatigue load limit	P <sub>u</sub>	30.5	kN
Reference speed		6000	r/min
Limiting speed		7000	r/min
Calculation factor	k <sub>r</sub>	0.25	
Limiting value	e	0.3	
Axial load factor	Y	0.4	

## Mass

Mass bearing		2.23	kg
--------------	--	------	----

## Associated products

Angle ring	<a href="#">HJ 2311 EC</a>
------------	----------------------------

