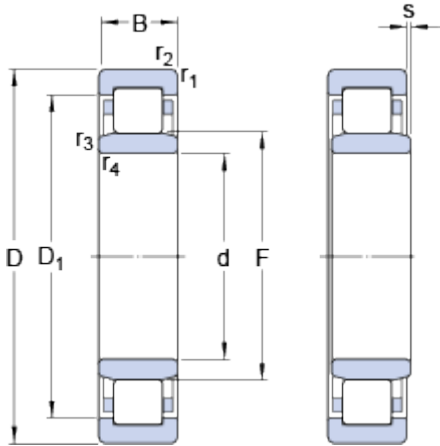


NU 2310 ECP

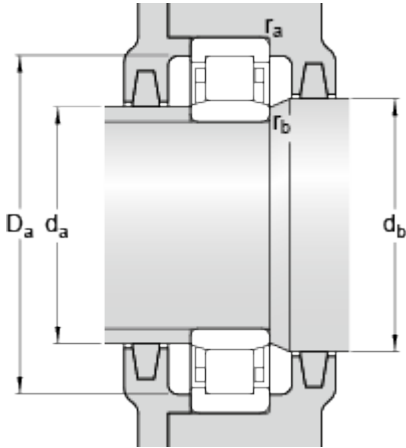
SKF Explorer

Dimensions



| | | | |
|------------------|------|------|----|
| d | | 50 | mm |
| D | | 110 | mm |
| B | | 40 | mm |
| D ₁ | ≈ | 91.4 | mm |
| F | | 65 | mm |
| r _{1,2} | min. | 2 | mm |
| r _{3,4} | min. | 2 | mm |
| s | max. | 3.4 | mm |

Abutment dimensions



| | | | |
|----------------|------|------|----|
| d _a | min. | 60 | mm |
| d _a | max. | 63 | mm |
| d _b | min. | 67 | mm |
| D _a | max. | 99.6 | mm |
| r _a | max. | 2 | mm |
| r _b | max. | 2 | mm |

Calculation data

| | | | |
|---------------------------|----------------|------|-------|
| Basic dynamic load rating | C | 186 | kN |
| Basic static load rating | C | 186 | kN |
| Fatigue load limit | P _u | 24.5 | kN |
| Reference speed | | 6700 | r/min |
| Limiting speed | | 8000 | r/min |
| Calculation factor | k _r | 0.25 | |
| Limiting value | e | 0.3 | |
| Axial load factor | Y | 0.4 | |

Mass

| | | | |
|--------------|--|------|----|
| Mass bearing | | 1.73 | kg |
|--------------|--|------|----|