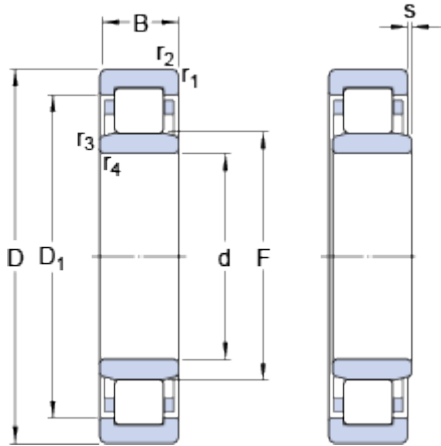


NU 2309 ECP

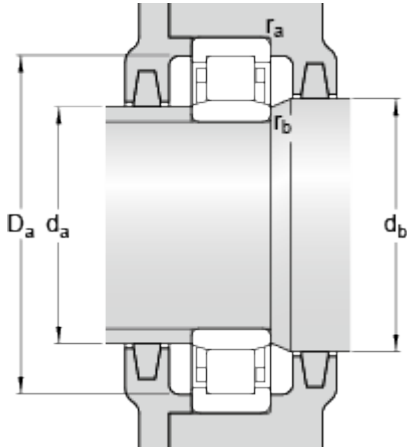
SKF Explorer

Dimensions



| | | | |
|------------------|------|------|----|
| d | | 45 | mm |
| D | | 100 | mm |
| B | | 36 | mm |
| D ₁ | ≈ | 83.2 | mm |
| F | | 58.5 | mm |
| r _{1,2} | min. | 1.5 | mm |
| r _{3,4} | min. | 1.5 | mm |
| s | max. | 3.2 | mm |

Abutment dimensions



| | | | |
|----------------|------|------|----|
| d _a | min. | 54 | mm |
| d _a | max. | 56 | mm |
| d _b | min. | 60 | mm |
| D _a | max. | 91.4 | mm |
| r _a | max. | 1.5 | mm |
| r _b | max. | 1.5 | mm |

Calculation data

| | | | |
|---------------------------|----------------|------|-------|
| Basic dynamic load rating | C | 160 | kN |
| Basic static load rating | C | 153 | kN |
| Fatigue load limit | P _u | 20 | kN |
| Reference speed | | 7500 | r/min |
| Limiting speed | | 8500 | r/min |
| Calculation factor | k _r | 0.25 | |
| Limiting value | e | 0.3 | |
| Axial load factor | Y | 0.4 | |

Mass

| | | | |
|--------------|--|------|----|
| Mass bearing | | 1.27 | kg |
|--------------|--|------|----|