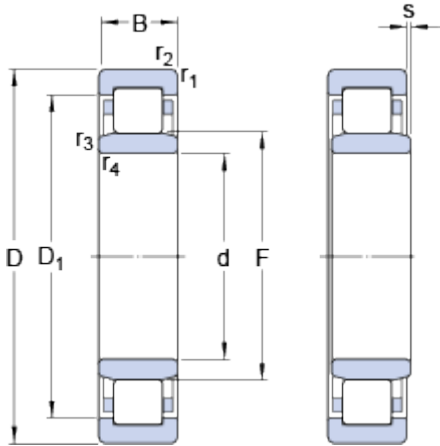


NU 2308 ECJ

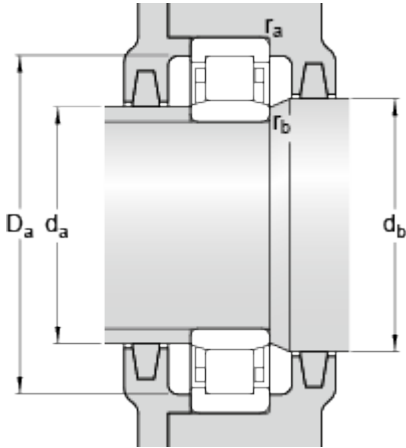
SKF Explorer

Dimensions



d		40	mm
D		90	mm
B		33	mm
D ₁	≈	75	mm
F		52	mm
r _{1,2}	min.	1.5	mm
r _{3,4}	min.	1.5	mm
s	max.	2.9	mm

Abutment dimensions



d _a	min.	48	mm
d _a	max.	50	mm
d _b	min.	54	mm
D _a	max.	81.8	mm
r _a	max.	1.5	mm
r _b	max.	1.5	mm

Calculation data

Basic dynamic load rating	C	129	kN
Basic static load rating	C	120	kN
Fatigue load limit	P _u	15.3	kN
Reference speed		8000	r/min
Limiting speed		9500	r/min
Calculation factor	k _r	0.25	
Limiting value	e	0.3	
Axial load factor	Y	0.4	

Mass

Mass bearing		0.96	kg
--------------	--	------	----