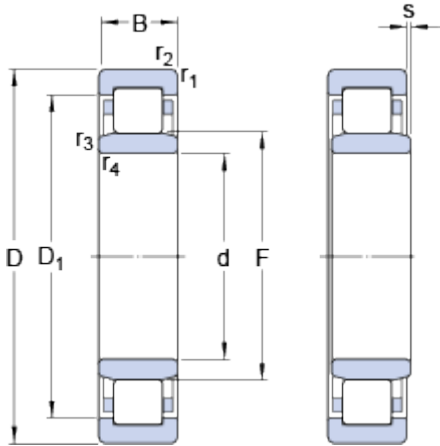


NU 2305 ECP

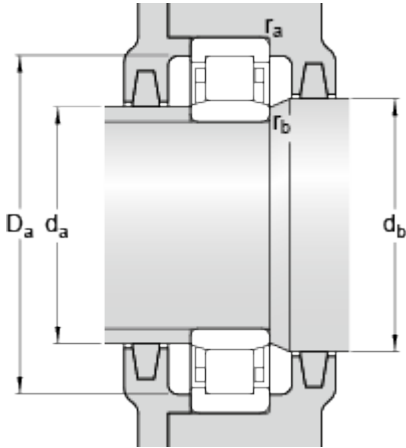
SKF Explorer

Dimensions



d	25	mm
D	62	mm
B	24	mm
D ₁	≈ 50.15	mm
F	34	mm
r _{1,2}	min. 1.1	mm
r _{3,4}	min. 1.1	mm
s	max. 2.3	mm

Abutment dimensions



d _a	min. 31	mm
d _a	max. 32.5	mm
d _b	min. 36	mm
D _a	max. 54.9	mm
r _a	max. 1	mm
r _b	max. 1	mm

Calculation data

Basic dynamic load rating	C	64	kN
Basic static load rating	C	55	kN
Fatigue load limit	P _u	6.95	kN
Reference speed		12000	r/min
Limiting speed		15000	r/min
Calculation factor	k _r	0.25	
Limiting value	e	0.3	
Axial load factor	Y	0.4	

Mass

Mass bearing	0.34	kg
--------------	------	----

Associated products

Angle ring	HJ 2305 EC
------------	------------

