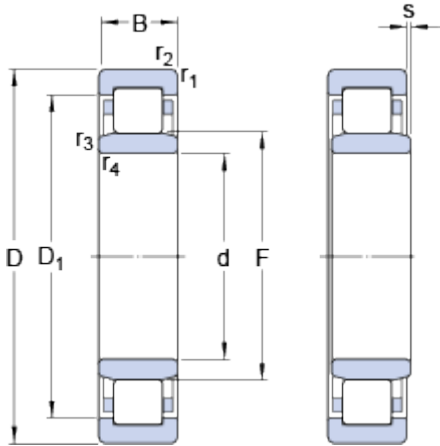


# NU 221 ECJ

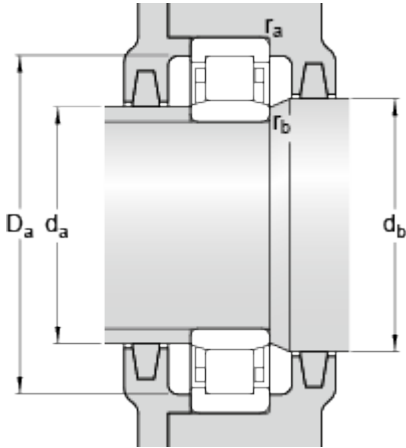
SKF Explorer

## Dimensions



|                  |      |       |    |
|------------------|------|-------|----|
| d                |      | 105   | mm |
| D                |      | 190   | mm |
| B                |      | 36    | mm |
| D <sub>1</sub>   | ≈    | 164.2 | mm |
| F                |      | 125   | mm |
| r <sub>1,2</sub> | min. | 2.1   | mm |
| r <sub>3,4</sub> | min. | 2.1   | mm |
| s                | max. | 2     | mm |

## Abutment dimensions



|                |      |       |    |
|----------------|------|-------|----|
| d <sub>a</sub> | min. | 117   | mm |
| d <sub>a</sub> | max. | 122   | mm |
| d <sub>b</sub> | min. | 128   | mm |
| D <sub>a</sub> | max. | 177.3 | mm |
| r <sub>a</sub> | max. | 2     | mm |
| r <sub>b</sub> | max. | 2     | mm |

## Calculation data

|                           |                |      |       |
|---------------------------|----------------|------|-------|
| Basic dynamic load rating | C              | 300  | kN    |
| Basic static load rating  | C              | 315  | kN    |
| Fatigue load limit        | P <sub>u</sub> | 36.5 | kN    |
| Reference speed           |                | 3800 | r/min |
| Limiting speed            |                | 4300 | r/min |
| Calculation factor        | k <sub>r</sub> | 0.15 |       |
| Limiting value            | e              | 0.2  |       |
| Axial load factor         | Y              | 0.6  |       |

## Mass

|              |  |     |    |
|--------------|--|-----|----|
| Mass bearing |  | 4.1 | kg |
|--------------|--|-----|----|

## Associated products

|            |  |                           |  |
|------------|--|---------------------------|--|
| Angle ring |  | <a href="#">HJ 221 EC</a> |  |
|------------|--|---------------------------|--|

