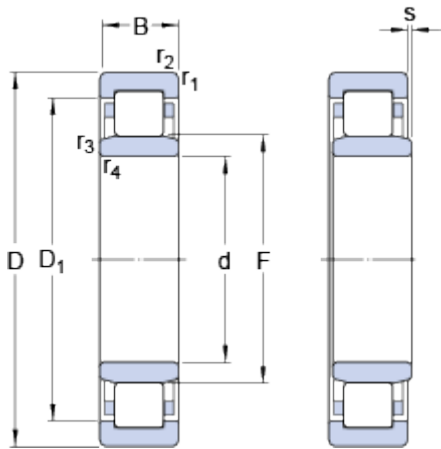


# NU 2218 ECP

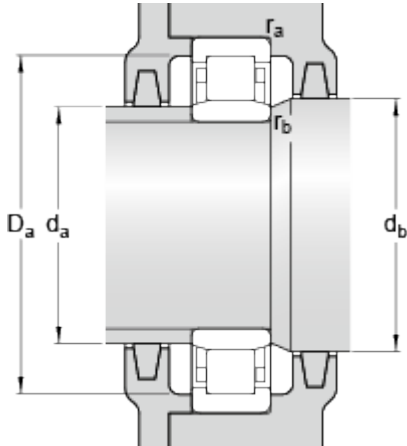
SKF Explorer

## Dimensions



d	90	mm
D	160	mm
B	40	mm
D <sub>1</sub>	≈ 138.5	mm
F	107	mm
r <sub>1,2</sub>	min. 2	mm
r <sub>3,4</sub>	min. 2	mm
s	max. 2.6	mm

## Abutment dimensions



d <sub>a</sub>	min. 101	mm
d <sub>a</sub>	max. 104	mm
d <sub>b</sub>	min. 110	mm
D <sub>a</sub>	max. 149	mm
r <sub>a</sub>	max. 2	mm
r <sub>b</sub>	max. 2	mm

## Calculation data

Basic dynamic load rating	C	280	kN
Basic static load rating	C	315	kN
Fatigue load limit	P <sub>u</sub>	39	kN
Reference speed		4500	r/min
Limiting speed		5000	r/min
Calculation factor	k <sub>r</sub>	0.2	
Limiting value	e	0.3	
Axial load factor	Y	0.4	

## Mass

Mass bearing	3.13	kg
--------------	------	----

## Associated products

Angle ring	HJ 2218 EC
------------	------------

