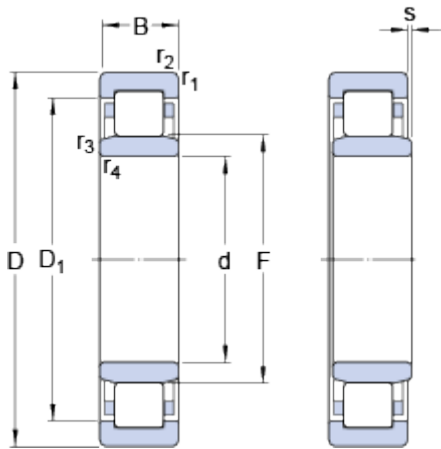


# NU 2215 ECP

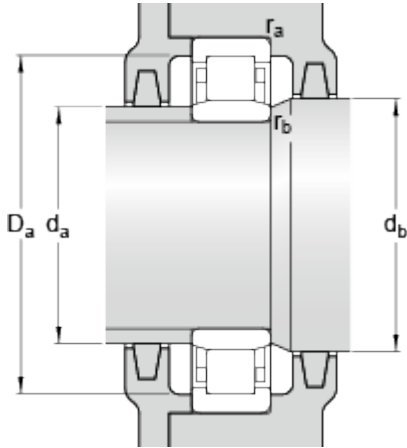
SKF Explorer

## Dimensions



|                  |          |    |
|------------------|----------|----|
| d                | 75       | mm |
| D                | 130      | mm |
| B                | 31       | mm |
| D <sub>1</sub>   | ≈ 113.2  | mm |
| F                | 88.5     | mm |
| r <sub>1,2</sub> | min. 1.5 | mm |
| r <sub>3,4</sub> | min. 1.5 | mm |
| s                | max. 1.7 | mm |

## Abutment dimensions



|                |            |    |
|----------------|------------|----|
| d <sub>a</sub> | min. 84    | mm |
| d <sub>a</sub> | max. 86    | mm |
| d <sub>b</sub> | min. 91    | mm |
| D <sub>a</sub> | max. 121.5 | mm |
| r <sub>a</sub> | max. 1.5   | mm |
| r <sub>b</sub> | max. 1.5   | mm |

## Calculation data

|                           |                |      |       |
|---------------------------|----------------|------|-------|
| Basic dynamic load rating | C              | 186  | kN    |
| Basic static load rating  | C              | 208  | kN    |
| Fatigue load limit        | P <sub>u</sub> | 27   | kN    |
| Reference speed           |                | 5600 | r/min |
| Limiting speed            |                | 6000 | r/min |
| Calculation factor        | k <sub>r</sub> | 0.2  |       |
| Limiting value            | e              | 0.3  |       |
| Axial load factor         | Y              | 0.4  |       |

## Mass

|              |      |    |
|--------------|------|----|
| Mass bearing | 1.58 | kg |
|--------------|------|----|