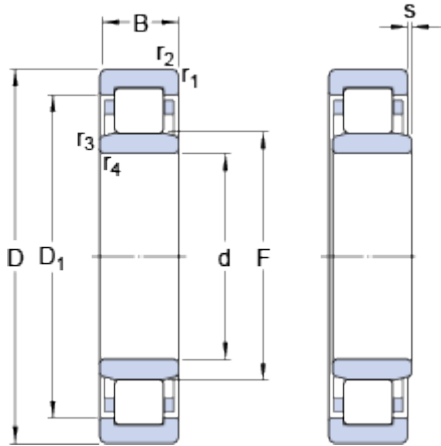


NU 2215 ECJ

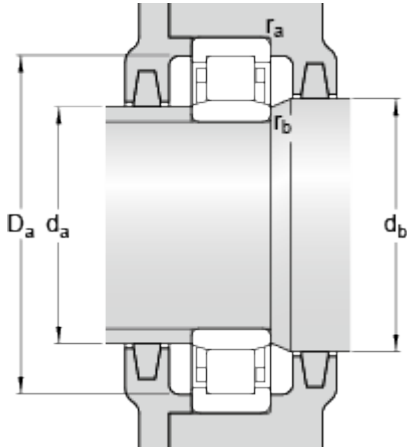
SKF Explorer

Dimensions



d	75	mm
D	130	mm
B	31	mm
D ₁	≈ 113.2	mm
F	88.5	mm
r _{1,2}	min. 1.5	mm
r _{3,4}	min. 1.5	mm
s	max. 1.7	mm

Abutment dimensions



d _a	min. 84	mm
d _a	max. 86	mm
d _b	min. 91	mm
D _a	max. 121.5	mm
r _a	max. 1.5	mm
r _b	max. 1.5	mm

Calculation data

Basic dynamic load rating	C	186	kN
Basic static load rating	C	208	kN
Fatigue load limit	P _u	27	kN
Reference speed		5600	r/min
Limiting speed		6000	r/min
Calculation factor	k _r	0.2	
Limiting value	e	0.3	
Axial load factor	Y	0.4	

Mass

Mass bearing	1.61	kg
--------------	------	----