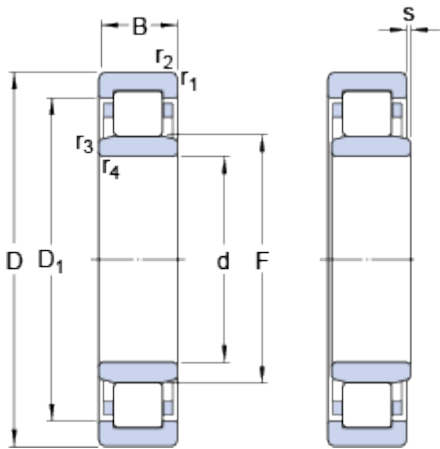


NU 2214 ECP

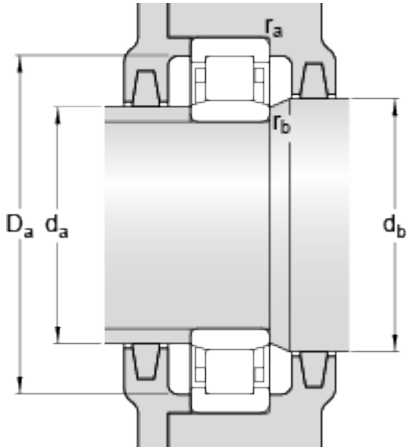
SKF Explorer

Dimensions



d		70	mm
D		125	mm
B		31	mm
D ₁	≈	108.2	mm
F		83.5	mm
r _{1,2}	min.	1.5	mm
r _{3,4}	min.	1.5	mm
s	max.	1.7	mm

Abutment dimensions



d _a	min.	79	mm
d _a	max.	81	mm
d _b	min.	86	mm
D _a	max.	115.4	mm
r _a	max.	1.5	mm
r _b	max.	1.5	mm

Calculation data

Basic dynamic load rating	C	180	kN
Basic static load rating	C	193	kN
Fatigue load limit	P _u	25.5	kN
Reference speed		6000	r/min
Limiting speed		6300	r/min
Calculation factor	k _r	0.2	
Limiting value	e	0.3	
Axial load factor	Y	0.4	

Mass

Mass bearing		1.48	kg
--------------	--	------	----

Associated products

Angle ring		HJ 2214 EC	
------------	--	----------------------------	--

