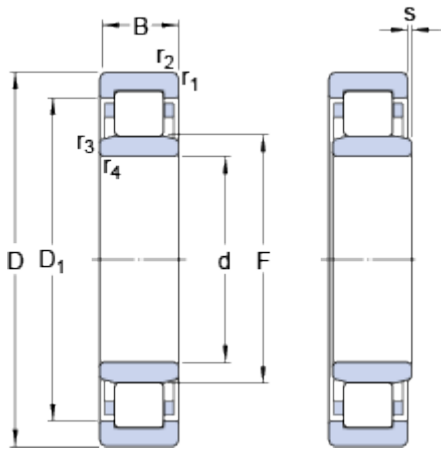


# NU 2213 ECP

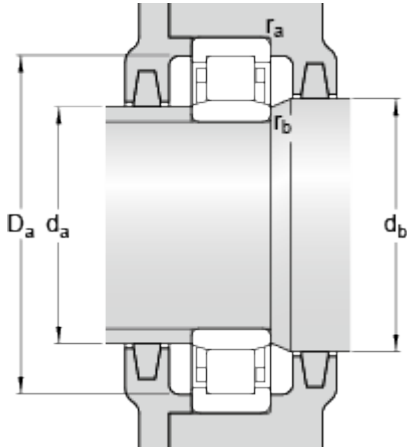
SKF Explorer

## Dimensions



d	65	mm
D	120	mm
B	31	mm
D <sub>1</sub>	≈ 103.2	mm
F	78.5	mm
r <sub>1,2</sub>	min. 1.5	mm
r <sub>3,4</sub>	min. 1.5	mm
s	max. 1.9	mm

## Abutment dimensions



d <sub>a</sub>	min. 74	mm
d <sub>a</sub>	max. 76	mm
d <sub>b</sub>	min. 81	mm
D <sub>a</sub>	max. 110.6	mm
r <sub>a</sub>	max. 1.5	mm
r <sub>b</sub>	max. 1.5	mm

## Calculation data

Basic dynamic load rating	C	170	kN
Basic static load rating	C	180	kN
Fatigue load limit	P <sub>u</sub>	24	kN
Reference speed		6300	r/min
Limiting speed		6700	r/min
Calculation factor	k <sub>r</sub>	0.2	
Limiting value	e	0.3	
Axial load factor	Y	0.4	

## Mass

Mass bearing	1.42	kg
--------------	------	----

## Associated products

Angle ring	HJ 2213 EC
------------	------------

