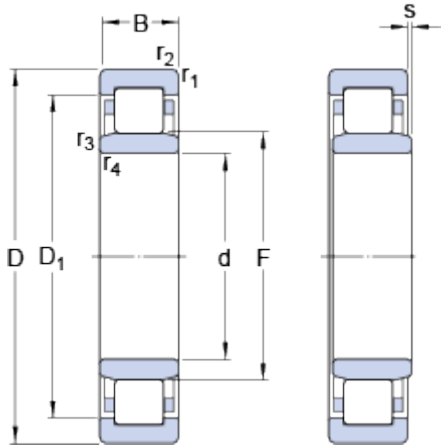


NU 2212 ECP

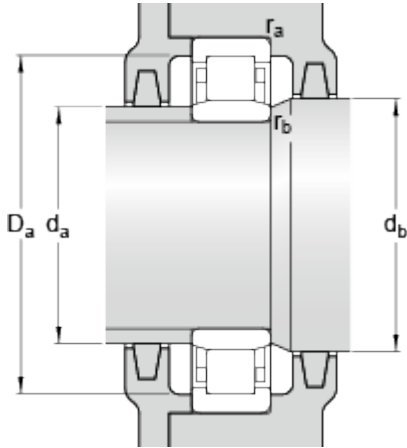
SKF Explorer

Dimensions



| | | | |
|------------------|------|-----|----|
| d | | 60 | mm |
| D | | 110 | mm |
| B | | 28 | mm |
| D ₁ | ≈ | 95 | mm |
| F | | 72 | mm |
| r _{1,2} | min. | 1.5 | mm |
| r _{3,4} | min. | 1.5 | mm |
| s | max. | 1.4 | mm |

Abutment dimensions



| | | | |
|----------------|------|-----|----|
| d _a | min. | 68 | mm |
| d _a | max. | 70 | mm |
| d _b | min. | 74 | mm |
| D _a | max. | 101 | mm |
| r _a | max. | 1.5 | mm |
| r _b | max. | 1.5 | mm |

Calculation data

| | | | |
|---------------------------|----------------|------|-------|
| Basic dynamic load rating | C | 146 | kN |
| Basic static load rating | C | 153 | kN |
| Fatigue load limit | P _u | 20 | kN |
| Reference speed | | 6700 | r/min |
| Limiting speed | | 7500 | r/min |
| Calculation factor | k _r | 0.2 | |
| Limiting value | e | 0.3 | |
| Axial load factor | Y | 0.4 | |

Mass

| | | | |
|--------------|--|------|----|
| Mass bearing | | 1.05 | kg |
|--------------|--|------|----|

Associated products

| | | | |
|------------|--|---------------------------|--|
| Angle ring | | HJ 212 EC | |
|------------|--|---------------------------|--|

