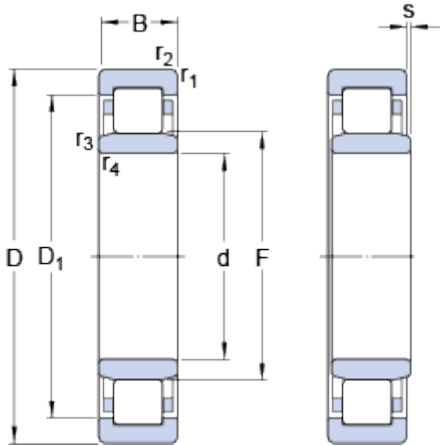


NU 2212 ECJ

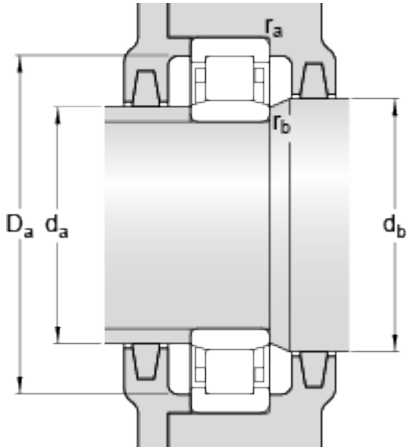
SKF Explorer

Dimensions



d		60	mm
D		110	mm
B		28	mm
D ₁	≈	95	mm
F		72	mm
r _{1,2}	min.	1.5	mm
r _{3,4}	min.	1.5	mm
s	max.	1.4	mm

Abutment dimensions



d _a	min.	68	mm
d _a	max.	70	mm
d _b	min.	74	mm
D _a	max.	101	mm
r _a	max.	1.5	mm
r _b	max.	1.5	mm

Calculation data

Basic dynamic load rating	C	146	kN
Basic static load rating	C	153	kN
Fatigue load limit	P _u	20	kN
Reference speed		6700	r/min
Limiting speed		7500	r/min
Calculation factor	k _r	0.2	
Limiting value	e	0.3	
Axial load factor	Y	0.4	

Mass

Mass bearing		1.07	kg
--------------	--	------	----

Associated products

Angle ring		HJ 212 EC	
------------	--	---------------------------	--

