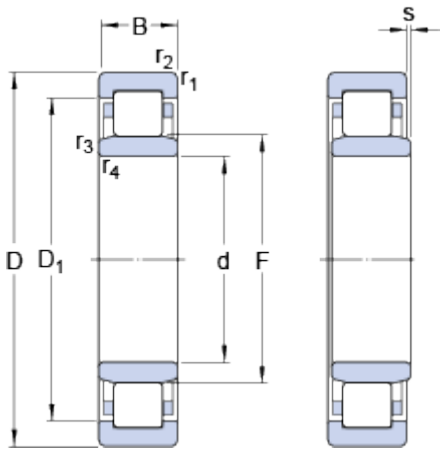


# NU 2211 ECP

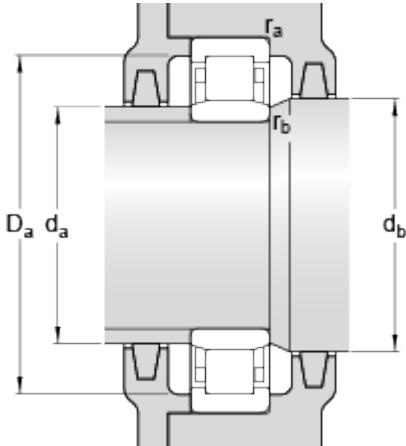
SKF Explorer

## Dimensions



d	55	mm
D	100	mm
B	25	mm
D <sub>1</sub>	≈ 85.7	mm
F	66	mm
r <sub>1,2</sub>	min. 1.5	mm
r <sub>3,4</sub>	min. 1.1	mm
s	max. 1.5	mm

## Abutment dimensions



da	min. 62	mm
da	max. 64	mm
db	min. 68	mm
Da	max. 91.4	mm
ra	max. 1.5	mm
rb	max. 1	mm

## Calculation data

Basic dynamic load rating	C	114	kN
Basic static load rating	C	118	kN
Fatigue load limit	P <sub>u</sub>	15.3	kN
Reference speed		7500	r/min
Limiting speed		8000	r/min
Calculation factor	k <sub>r</sub>	0.2	
Limiting value	e	0.3	
Axial load factor	Y	0.4	

## Mass

Mass bearing	0.79	kg
--------------	------	----

## Associated products

Angle ring	HJ 2211 EC
------------	------------

