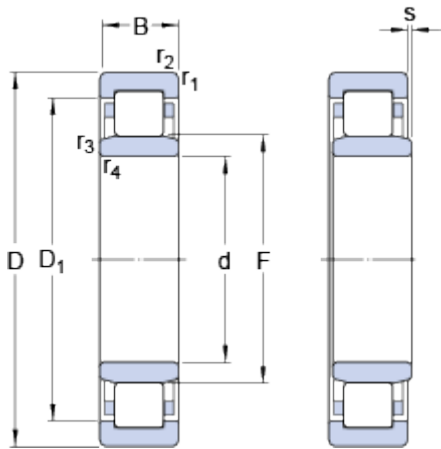


NU 220 ECP

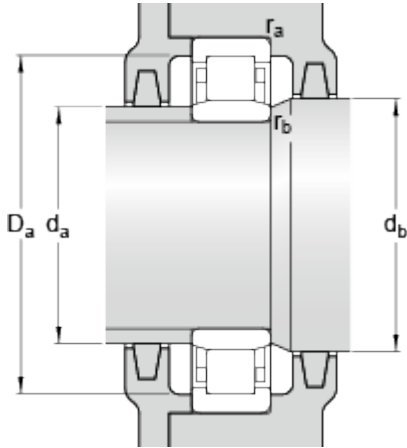
SKF Explorer

Dimensions



d	100	mm
D	180	mm
B	34	mm
D ₁	≈ 155.55	mm
F	119	mm
r _{1,2}	min. 2.1	mm
r _{3,4}	min. 2.1	mm
s	max. 1.7	mm

Abutment dimensions



d _a	min. 113	mm
d _a	max. 116	mm
d _b	min. 122	mm
D _a	max. 167.5	mm
r _a	max. 2	mm
r _b	max. 2	mm

Calculation data

Basic dynamic load rating	C	285	kN
Basic static load rating	C	305	kN
Fatigue load limit	P _u	36.5	kN
Reference speed		4000	r/min
Limiting speed		4500	r/min
Calculation factor	k _r	0.15	
Limiting value	e	0.2	
Axial load factor	Y	0.6	

Mass

Mass bearing	3.37	kg
--------------	------	----

Associated products

Angle ring	HJ 220 EC	
------------	-----------	--

