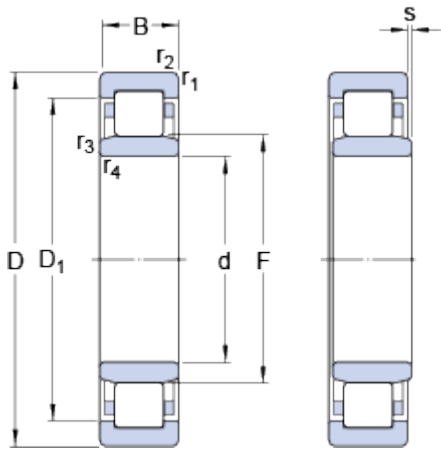


# NU 2208 ECP

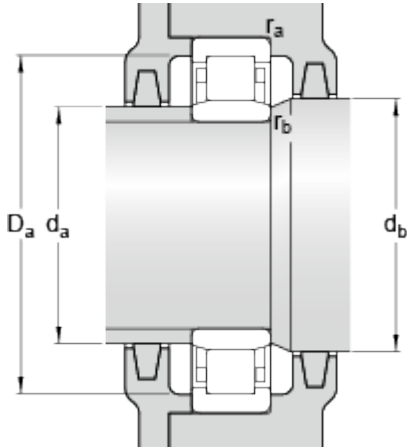
SKF Explorer

## Dimensions



d		40	mm
D		80	mm
B		23	mm
D <sub>1</sub>	≈	67.4	mm
F		49.5	mm
r <sub>1,2</sub>	min.	1.1	mm
r <sub>3,4</sub>	min.	1.1	mm
s	max.	1.9	mm

## Abutment dimensions



d <sub>a</sub>	min.	47	mm
d <sub>a</sub>	max.	48	mm
d <sub>b</sub>	min.	51	mm
D <sub>a</sub>	max.	72.8	mm
r <sub>a</sub>	max.	1	mm
r <sub>b</sub>	max.	1	mm

## Calculation data

Basic dynamic load rating	C	81.5	kN
Basic static load rating	C	75	kN
Fatigue load limit	P <sub>u</sub>	9.65	kN
Reference speed		9500	r/min
Limiting speed		11000	r/min
Calculation factor	k <sub>r</sub>	0.2	
Limiting value	e	0.3	
Axial load factor	Y	0.4	

## Mass

Mass bearing		0.49	kg
--------------	--	------	----

## Associated products

Angle ring	HJ 2208 EC
------------	------------

