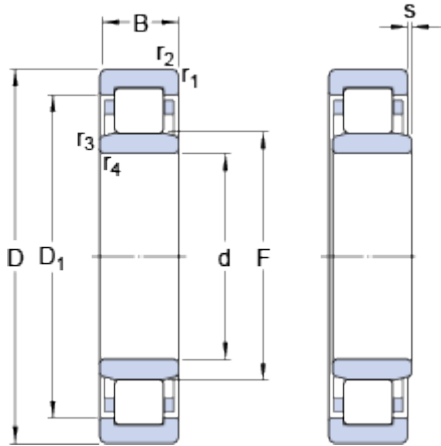


NU 2207 ECP

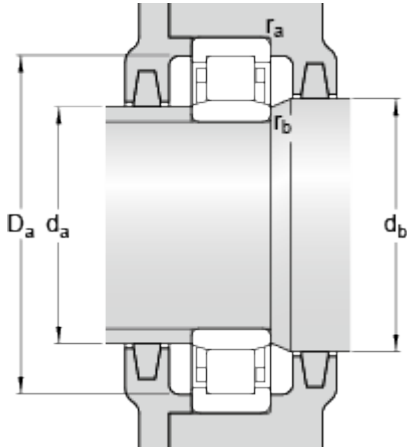
SKF Explorer

Dimensions



d	35	mm
D	72	mm
B	23	mm
D ₁	≈ 60.2	mm
F	44	mm
r _{1,2}	min. 1.1	mm
r _{3,4}	min. 0.6	mm
s	max. 2.8	mm

Abutment dimensions



d _a	min. 39.8	mm
d _a	max. 42.2	mm
d _b	min. 46	mm
D _a	max. 65.1	mm
r _a	max. 1	mm
r _b	max. 0.6	mm

Calculation data

Basic dynamic load rating	C	69.5	kN
Basic static load rating	C	63	kN
Fatigue load limit	P _u	8.15	kN
Reference speed		11000	r/min
Limiting speed		12000	r/min
Calculation factor	k _r	0.2	
Limiting value	e	0.3	
Axial load factor	Y	0.4	

Mass

Mass bearing	0.4	kg
--------------	-----	----