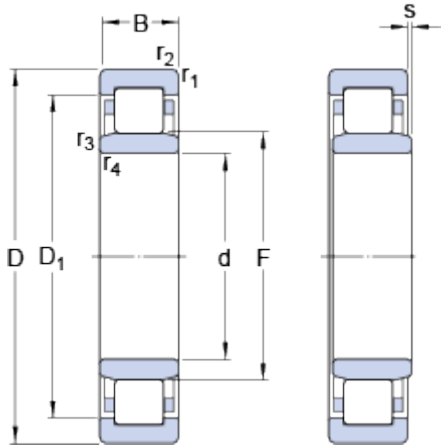


# NU 2206 ECP

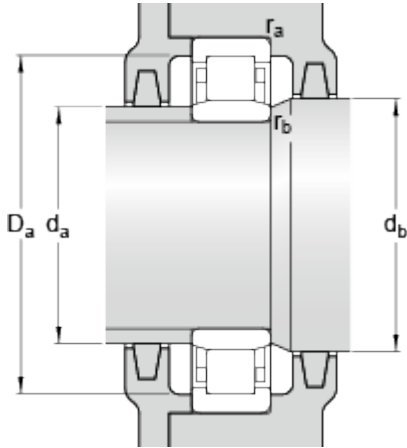
SKF Explorer

## Dimensions



d		30	mm
D		62	mm
B		20	mm
D <sub>1</sub>	≈	51.95	mm
F		37.5	mm
r <sub>1,2</sub>	min.	1	mm
r <sub>3,4</sub>	min.	0.6	mm
s	max.	1.8	mm

## Abutment dimensions



d <sub>a</sub>	min.	34.3	mm
d <sub>a</sub>	max.	36.1	mm
d <sub>b</sub>	min.	39	mm
D <sub>a</sub>	max.	55.9	mm
r <sub>a</sub>	max.	1	mm
r <sub>b</sub>	max.	0.6	mm

## Calculation data

Basic dynamic load rating	C	55	kN
Basic static load rating	C	49	kN
Fatigue load limit	P <sub>u</sub>	6.1	kN
Reference speed		13000	r/min
Limiting speed		14000	r/min
Calculation factor	k <sub>r</sub>	0.2	
Limiting value	e	0.3	
Axial load factor	Y	0.4	

## Mass

Mass bearing		0.26	kg
--------------	--	------	----