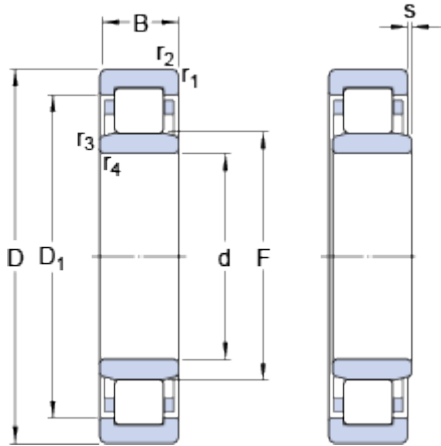


NU 2206 ECJ

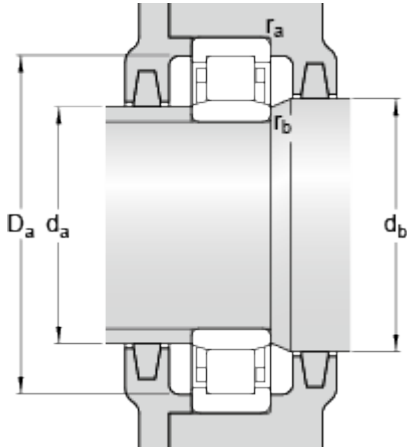
SKF Explorer

Dimensions



d	30	mm
D	62	mm
B	20	mm
D ₁	≈ 51.95	mm
F	37.5	mm
r _{1,2}	min. 1	mm
r _{3,4}	min. 0.6	mm
s	max. 1.8	mm

Abutment dimensions



d _a	min. 34.3	mm
d _a	max. 36.1	mm
d _b	min. 39	mm
D _a	max. 55.9	mm
r _a	max. 1	mm
r _b	max. 0.6	mm

Calculation data

Basic dynamic load rating	C	55	kN
Basic static load rating	C	49	kN
Fatigue load limit	P _u	6.1	kN
Reference speed		13000	r/min
Limiting speed		14000	r/min
Calculation factor	k _r	0.2	
Limiting value	e	0.3	
Axial load factor	Y	0.4	

Mass

Mass bearing	0.27	kg
--------------	------	----