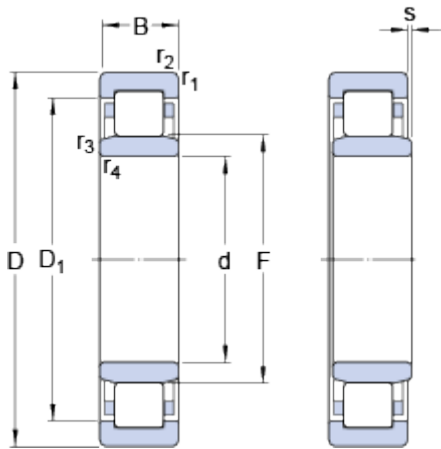


NU 219 ECP

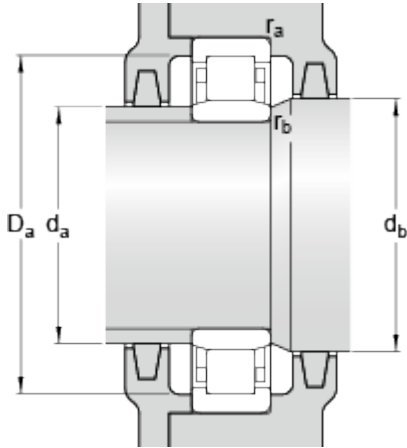
SKF Explorer

Dimensions



d	95	mm
D	170	mm
B	32	mm
D ₁	≈ 147.4	mm
F	112.5	mm
r _{1,2}	min. 2.1	mm
r _{3,4}	min. 2.1	mm
s	max. 1.7	mm

Abutment dimensions



d _a	min. 107	mm
d _a	max. 110	mm
d _b	min. 115	mm
D _a	max. 157.8	mm
r _a	max. 2	mm
r _b	max. 2	mm

Calculation data

Basic dynamic load rating	C	255	kN
Basic static load rating	C	265	kN
Fatigue load limit	P _u	32.5	kN
Reference speed		4300	r/min
Limiting speed		4800	r/min
Calculation factor	k _r	0.15	
Limiting value	e	0.2	
Axial load factor	Y	0.6	

Mass

Mass bearing	2.86	kg
--------------	------	----

Associated products

Angle ring	HJ 219 EC
------------	-----------

