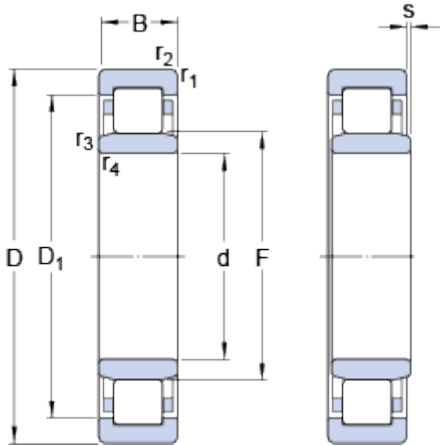


NU 218 ECP

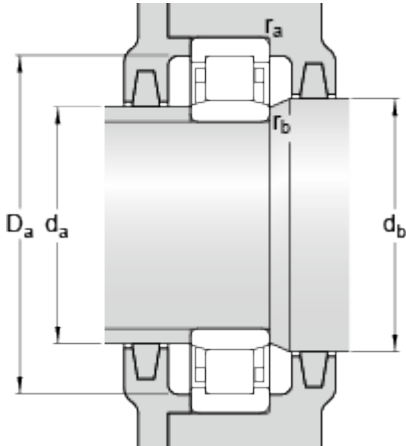
SKF Explorer

Dimensions



d		90	mm
D		160	mm
B		30	mm
D ₁	≈	138.45	mm
F		107	mm
r _{1,2}	min.	2	mm
r _{3,4}	min.	2	mm
s	max.	1.8	mm

Abutment dimensions



d _a	min.	101	mm
d _a	max.	104	mm
d _b	min.	110	mm
D _a	max.	149	mm
r _a	max.	2	mm
r _b	max.	2	mm

Calculation data

Basic dynamic load rating	C	208	kN
Basic static load rating	C	220	kN
Fatigue load limit	P _u	27	kN
Reference speed		4500	r/min
Limiting speed		5000	r/min
Calculation factor	k _r	0.15	
Limiting value	e	0.2	
Axial load factor	Y	0.6	

Mass

Mass bearing		2.28	kg
--------------	--	------	----

Associated products

Angle ring		HJ 218 EC	
------------	--	---------------------------	--

