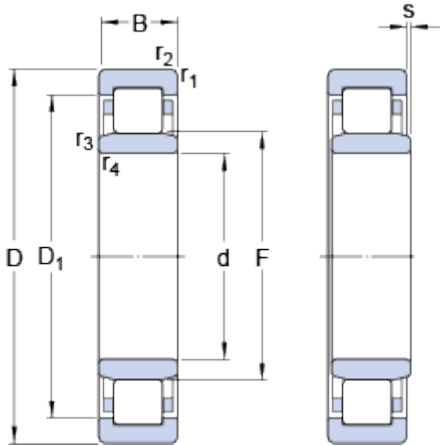


# NU 218 ECJ

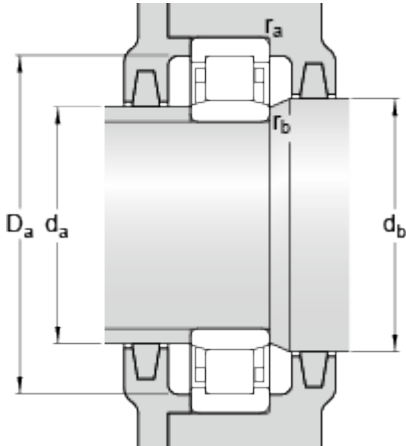
SKF Explorer

## Dimensions



d		90	mm
D		160	mm
B		30	mm
D <sub>1</sub>	≈	138.45	mm
F		107	mm
r <sub>1,2</sub>	min.	2	mm
r <sub>3,4</sub>	min.	2	mm
s	max.	1.8	mm

## Abutment dimensions



d <sub>a</sub>	min.	101	mm
d <sub>a</sub>	max.	104	mm
d <sub>b</sub>	min.	110	mm
D <sub>a</sub>	max.	149	mm
r <sub>a</sub>	max.	2	mm
r <sub>b</sub>	max.	2	mm

## Calculation data

Basic dynamic load rating	C	208	kN
Basic static load rating	C	220	kN
Fatigue load limit	P <sub>u</sub>	27	kN
Reference speed		4500	r/min
Limiting speed		5000	r/min
Calculation factor	k <sub>r</sub>	0.15	
Limiting value	e	0.2	
Axial load factor	Y	0.6	

## Mass

Mass bearing		2.31	kg
--------------	--	------	----

## Associated products

Angle ring		<a href="#">HJ 218 EC</a>	
------------	--	---------------------------	--

