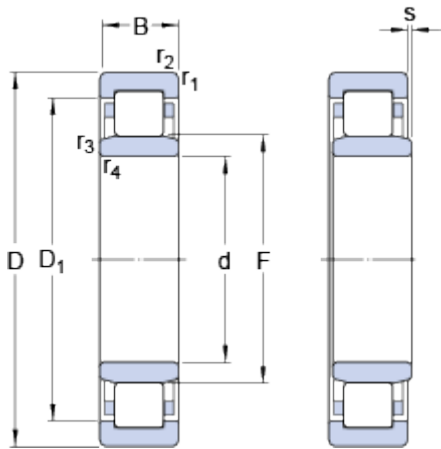


# NU 217 ECP

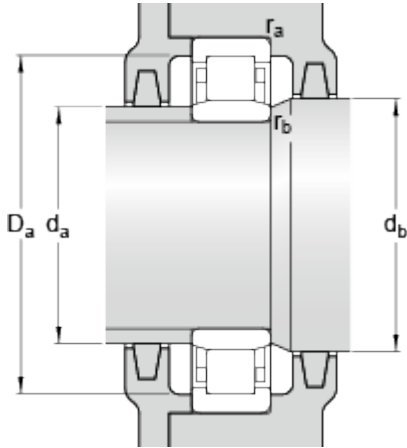
SKF Explorer

## Dimensions



d		85	mm
D		150	mm
B		28	mm
D <sub>1</sub>	≈	130.3	mm
F		100.5	mm
r <sub>1,2</sub>	min.	2	mm
r <sub>3,4</sub>	min.	2	mm
s	max.	1.5	mm

## Abutment dimensions



d <sub>a</sub>	min.	96	mm
d <sub>a</sub>	max.	98	mm
d <sub>b</sub>	min.	103	mm
D <sub>a</sub>	max.	138.5	mm
r <sub>a</sub>	max.	2	mm
r <sub>b</sub>	max.	2	mm

## Calculation data

Basic dynamic load rating	C	190	kN
Basic static load rating	C	200	kN
Fatigue load limit	P <sub>u</sub>	25	kN
Reference speed		4800	r/min
Limiting speed		5300	r/min
Calculation factor	k <sub>r</sub>	0.15	
Limiting value	e	0.2	
Axial load factor	Y	0.6	

## Mass

Mass bearing		1.89	kg
--------------	--	------	----

## Associated products

Angle ring		<a href="#">HJ 217 EC</a>	
------------	--	---------------------------	--

