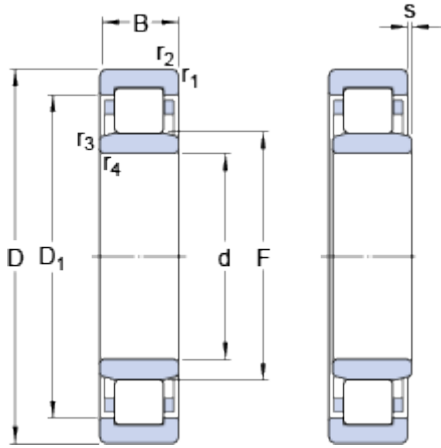


NU 217 ECJ

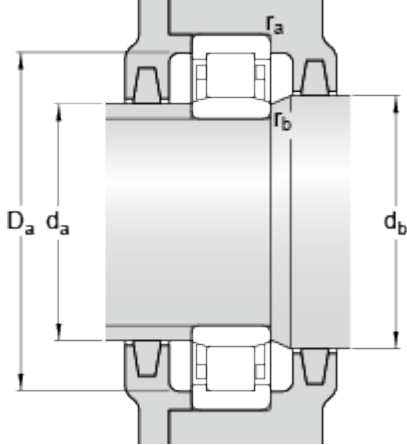
SKF Explorer

Dimensions



d	85	mm
D	150	mm
B	28	mm
D ₁	≈ 130.3	mm
F	100.5	mm
r _{1,2}	min. 2	mm
r _{3,4}	min. 2	mm
s	max. 1.5	mm

Abutment dimensions



d _a	min. 96	mm
d _a	max. 98	mm
d _b	min. 103	mm
D _a	max. 138.5	mm
r _a	max. 2	mm
r _b	max. 2	mm

Calculation data

Basic dynamic load rating	C	190	kN
Basic static load rating	C	200	kN
Fatigue load limit	P _u	25	kN
Reference speed		4800	r/min
Limiting speed		5300	r/min
Calculation factor	k _r	0.15	
Limiting value	e	0.2	
Axial load factor	Y	0.6	

Mass

Mass bearing	1.85	kg
--------------	------	----

Associated products

Angle ring	HJ 217 EC	
------------	-----------	--

