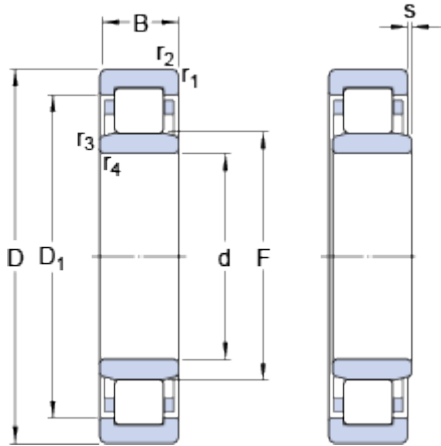


NU 216 ECP

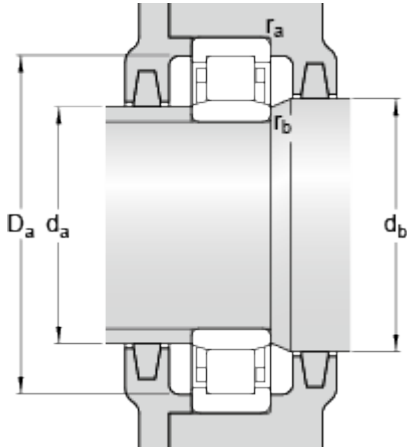
SKF Explorer

Dimensions



d	80	mm
D	140	mm
B	26	mm
D ₁	≈ 121.7	mm
F	95.3	mm
r _{1,2}	min. 2	mm
r _{3,4}	min. 2	mm
s	max. 1.4	mm

Abutment dimensions



d _a	min. 90	mm
d _a	max. 93	mm
d _b	min. 98	mm
D _a	max. 129.8	mm
r _a	max. 2	mm
r _b	max. 2	mm

Calculation data

Basic dynamic load rating	C	160	kN
Basic static load rating	C	166	kN
Fatigue load limit	P _u	21.2	kN
Reference speed		5300	r/min
Limiting speed		5600	r/min
Calculation factor	k _r	0.15	
Limiting value	e	0.2	
Axial load factor	Y	0.6	

Mass

Mass bearing	1.53	kg
--------------	------	----

Associated products

Angle ring	HJ 216 EC	
------------	-----------	--

