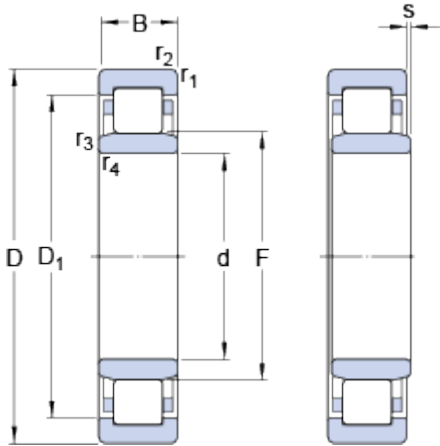


# NU 215 ECP

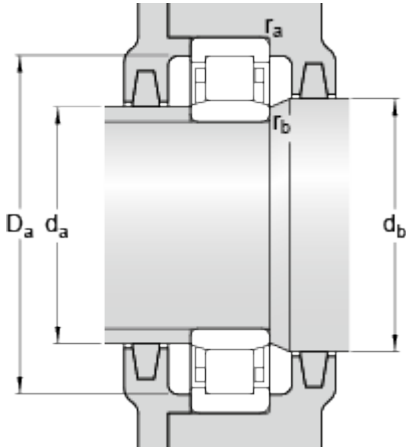
SKF Explorer

## Dimensions



d		75	mm
D		130	mm
B		25	mm
D <sub>1</sub>	≈	113.3	mm
F		88.5	mm
r <sub>1,2</sub>	min.	1.5	mm
r <sub>3,4</sub>	min.	1.5	mm
s	max.	1.2	mm

## Abutment dimensions



d <sub>a</sub>	min.	84	mm
d <sub>a</sub>	max.	86	mm
d <sub>b</sub>	min.	91	mm
D <sub>a</sub>	max.	121.5	mm
r <sub>a</sub>	max.	1.5	mm
r <sub>b</sub>	max.	1.5	mm

## Calculation data

Basic dynamic load rating	C	150	kN
Basic static load rating	C	156	kN
Fatigue load limit	P <sub>u</sub>	20.4	kN
Reference speed		5600	r/min
Limiting speed		6000	r/min
Calculation factor	k <sub>r</sub>	0.15	
Limiting value	e	0.2	
Axial load factor	Y	0.6	

## Mass

Mass bearing		1.24	kg
--------------	--	------	----

## Associated products

Angle ring		<a href="#">HJ 215 EC</a>	
------------	--	---------------------------	--

