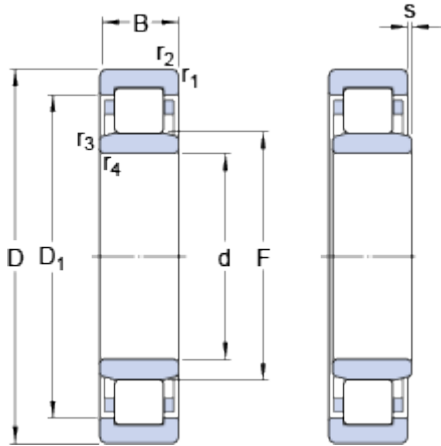


NU 214 ECP

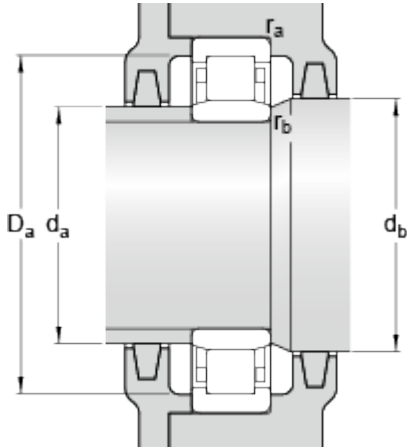
SKF Explorer

Dimensions



d		70	mm
D		125	mm
B		24	mm
D ₁	≈	108.3	mm
F		83.5	mm
r _{1,2}	min.	1.5	mm
r _{3,4}	min.	1.5	mm
s	max.	1.2	mm

Abutment dimensions



d _a	min.	79	mm
d _a	max.	81	mm
d _b	min.	86	mm
D _a	max.	115.4	mm
r _a	max.	1.5	mm
r _b	max.	1.5	mm

Calculation data

Basic dynamic load rating	C	137	kN
Basic static load rating	C	137	kN
Fatigue load limit	P _u	18	kN
Reference speed		6000	r/min
Limiting speed		6300	r/min
Calculation factor	k _r	0.15	
Limiting value	e	0.2	
Axial load factor	Y	0.6	

Mass

Mass bearing		1.14	kg
--------------	--	------	----

Associated products

Angle ring		HJ 214 EC	
------------	--	---------------------------	--

