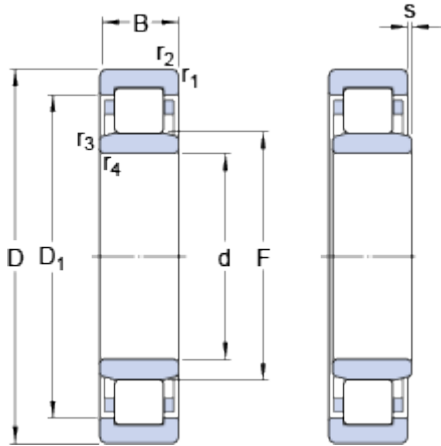


NU 210 ECP

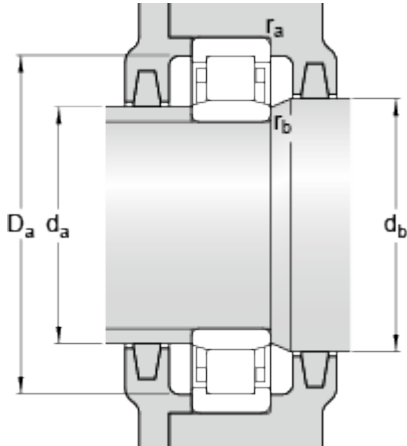
SKF Explorer

Dimensions



d	50	mm
D	90	mm
B	20	mm
D ₁	≈ 77.4	mm
F	59.5	mm
r _{1,2}	min. 1.1	mm
r _{3,4}	min. 1.1	mm
s	max. 1.5	mm

Abutment dimensions



d _a	min. 57	mm
d _a	max. 57.5	mm
d _b	min. 61	mm
D _a	max. 82.4	mm
r _a	max. 1	mm
r _b	max. 1	mm

Calculation data

Basic dynamic load rating	C	73.5	kN
Basic static load rating	C	69.5	kN
Fatigue load limit	P _u	8.8	kN
Reference speed		8500	r/min
Limiting speed		9000	r/min
Calculation factor	k _r	0.15	
Limiting value	e	0.2	
Axial load factor	Y	0.6	

Mass

Mass bearing	0.47	kg
--------------	------	----

Associated products

Angle ring	HJ 210 EC	
------------	-----------	--

