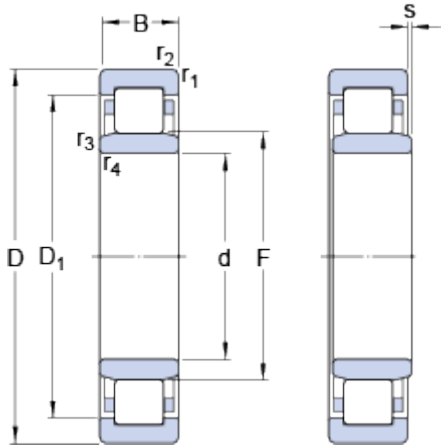


# NU 209 ECP

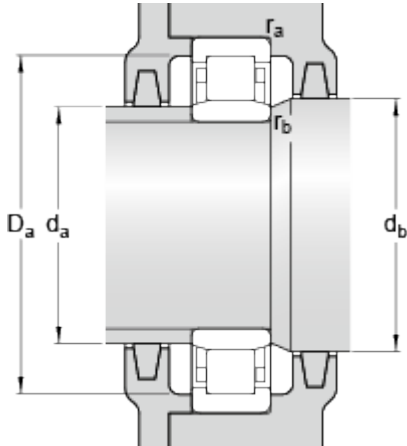
SKF Explorer

## Dimensions



|                  |      |      |    |
|------------------|------|------|----|
| d                |      | 45   | mm |
| D                |      | 85   | mm |
| B                |      | 19   | mm |
| D <sub>1</sub>   | ≈    | 72.4 | mm |
| F                |      | 54.5 | mm |
| r <sub>1,2</sub> | min. | 1.1  | mm |
| r <sub>3,4</sub> | min. | 1.1  | mm |
| s                | max. | 1.2  | mm |

## Abutment dimensions



|                |      |      |    |
|----------------|------|------|----|
| d <sub>a</sub> | min. | 52   | mm |
| d <sub>a</sub> | max. | 53   | mm |
| d <sub>b</sub> | min. | 56   | mm |
| D <sub>a</sub> | max. | 77.6 | mm |
| r <sub>a</sub> | max. | 1    | mm |
| r <sub>b</sub> | max. | 1    | mm |

## Calculation data

|                           |                |      |       |
|---------------------------|----------------|------|-------|
| Basic dynamic load rating | C              | 69.5 | kN    |
| Basic static load rating  | C              | 64   | kN    |
| Fatigue load limit        | P <sub>u</sub> | 8.15 | kN    |
| Reference speed           |                | 9000 | r/min |
| Limiting speed            |                | 9500 | r/min |
| Calculation factor        | k <sub>r</sub> | 0.15 |       |
| Limiting value            | e              | 0.2  |       |
| Axial load factor         | Y              | 0.6  |       |

## Mass

|              |  |      |    |
|--------------|--|------|----|
| Mass bearing |  | 0.42 | kg |
|--------------|--|------|----|

## Associated products

|            |  |                           |  |
|------------|--|---------------------------|--|
| Angle ring |  | <a href="#">HJ 209 EC</a> |  |
|------------|--|---------------------------|--|

