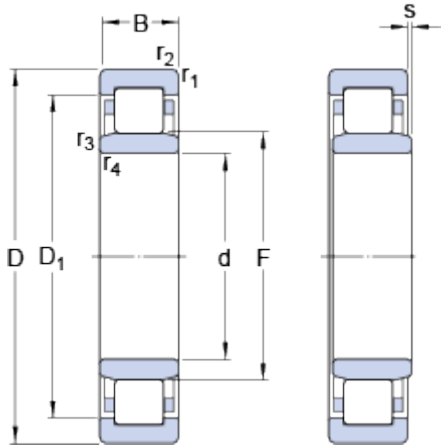


NU 208 ECP

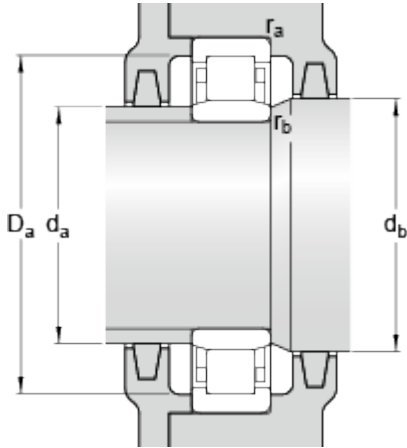
SKF Explorer

Dimensions



| | | | |
|------------------|------|------|----|
| d | | 40 | mm |
| D | | 80 | mm |
| B | | 18 | mm |
| D ₁ | ≈ | 67.4 | mm |
| F | | 49.5 | mm |
| r _{1,2} | min. | 1.1 | mm |
| r _{3,4} | min. | 1.1 | mm |
| s | max. | 1.4 | mm |

Abutment dimensions



| | | | |
|----------------|------|------|----|
| d _a | min. | 47 | mm |
| d _a | max. | 48 | mm |
| d _b | min. | 51 | mm |
| D _a | max. | 72.8 | mm |
| r _a | max. | 1 | mm |
| r _b | max. | 1 | mm |

Calculation data

| | | | |
|---------------------------|----------------|-------|-------|
| Basic dynamic load rating | C | 62 | kN |
| Basic static load rating | C | 53 | kN |
| Fatigue load limit | P _u | 6.7 | kN |
| Reference speed | | 9500 | r/min |
| Limiting speed | | 11000 | r/min |
| Calculation factor | k _r | 0.15 | |
| Limiting value | e | 0.2 | |
| Axial load factor | Y | 0.6 | |

Mass

| | | | |
|--------------|--|------|----|
| Mass bearing | | 0.37 | kg |
|--------------|--|------|----|

Associated products

| | | | |
|------------|--|-----------|--|
| Angle ring | | HJ 208 EC | |
|------------|--|-----------|--|

