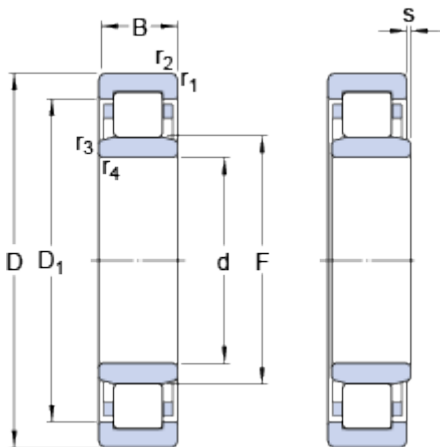


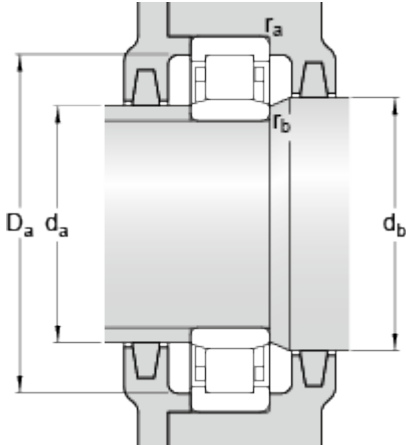
NU 1020 ML

Dimensions



d		100	mm
D		150	mm
B		24	mm
D ₁	≈	132.1	mm
F		113	mm
r _{1,2}	min.	1.5	mm
r _{3,4}	min.	1.1	mm
s	max.	3.5	mm

Abutment dimensions



d _a	min.	106	mm
d _a	max.	111	mm
d _b	min.	116	mm
D _a	max.	143	mm
r _a	max.	1.5	mm
r _b	max.	1	mm

Calculation data

Basic dynamic load rating	C	85.8	kN
Basic static load rating	C	114	kN
Fatigue load limit	P _u	13.7	kN
Reference speed		5000	r/min
Limiting speed		7500	r/min
Calculation factor	k _r	0.15	
Limiting value	e	0.2	
Axial load factor	Y	0.6	

Mass

Mass bearing		1.47	kg
--------------	--	------	----