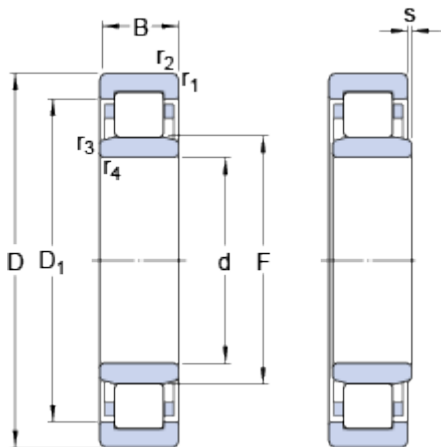


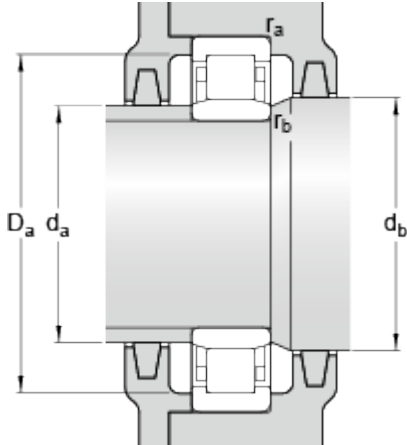
# NU 1015 ML

## Dimensions



d	75	mm
D	115	mm
B	20	mm
D <sub>1</sub>	≈ 100.4	mm
F	85	mm
r <sub>1,2</sub>	min. 1.1	mm
r <sub>3,4</sub>	min. 1	mm
s	max. 3	mm

## Abutment dimensions



d <sub>a</sub>	min. 80	mm
d <sub>a</sub>	max. 83	mm
d <sub>b</sub>	min. 87	mm
D <sub>a</sub>	max. 109	mm
r <sub>a</sub>	max. 1	mm
r <sub>b</sub>	max. 1	mm

## Calculation data

Basic dynamic load rating	C	58.3	kN
Basic static load rating	C	71	kN
Fatigue load limit	P <sub>u</sub>	8.5	kN
Reference speed		6700	r/min
Limiting speed		10000	r/min
Calculation factor	k <sub>r</sub>	0.15	
Limiting value	e	0.2	
Axial load factor	Y	0.6	

## Mass

Mass bearing	0.75	kg
--------------	------	----