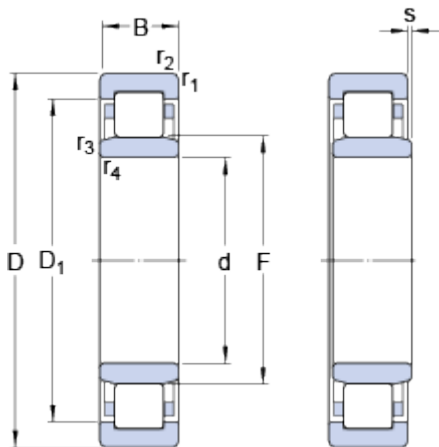


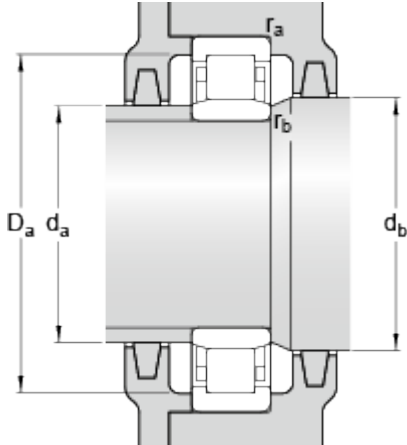
NU 1014 ML

Dimensions



d	70	mm
D	110	mm
B	20	mm
D ₁	≈ 95.7	mm
F	80	mm
r _{1,2}	min. 1.1	mm
r _{3,4}	min. 1	mm
s	max. 3	mm

Abutment dimensions



d _a	min. 74.6	mm
d _a	max. 78	mm
d _b	min. 82	mm
D _a	max. 104	mm
r _a	max. 1	mm
r _b	max. 1	mm

Calculation data

Basic dynamic load rating	C	56.1	kN
Basic static load rating	C	67	kN
Fatigue load limit	P _u	8	kN
Reference speed		7000	r/min
Limiting speed		11000	r/min
Calculation factor	k _r	0.15	
Limiting value	e	0.2	
Axial load factor	Y	0.6	

Mass

Mass bearing		0.7	kg
--------------	--	-----	----