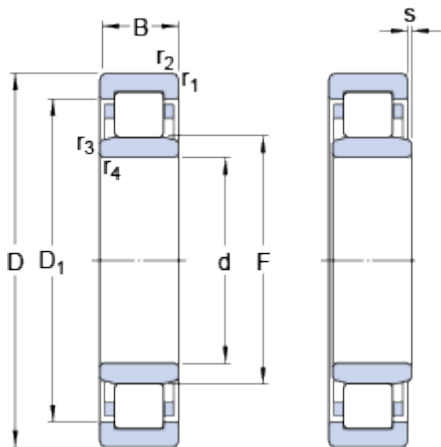


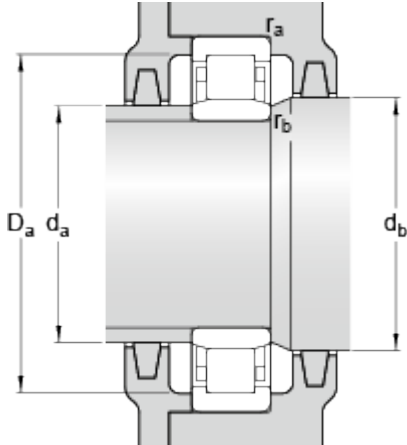
# NU 1011 ECP

## Dimensions



d		55	mm
D		90	mm
B		18	mm
D <sub>1</sub>	≈	79	mm
F		64.5	mm
r <sub>1,2</sub>	min.	1.1	mm
r <sub>3,4</sub>	min.	1	mm
s	max.	0.5	mm

## Abutment dimensions



d <sub>a</sub>	min.	59.7	mm
d <sub>a</sub>	max.	63	mm
d <sub>b</sub>	min.	66	mm
D <sub>a</sub>	max.	83	mm
r <sub>a</sub>	max.	1	mm
r <sub>b</sub>	max.	1	mm

## Calculation data

Basic dynamic load rating	C	57.2	kN
Basic static load rating	C	69.5	kN
Fatigue load limit	P <sub>u</sub>	8.3	kN
Reference speed		8500	r/min
Limiting speed		8500	r/min
Calculation factor	k <sub>r</sub>	0.1	
Limiting value	e	0.2	
Axial load factor	Y	0.6	

## Mass

Mass bearing		0.39	kg
--------------	--	------	----