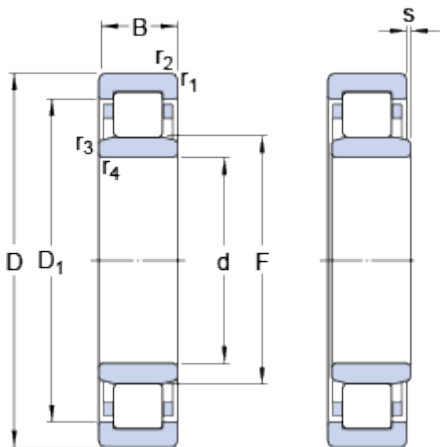


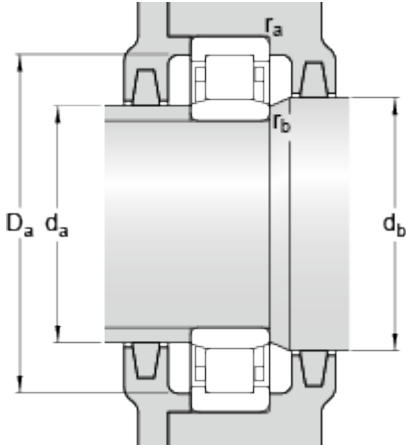
NU 1008 ML

Dimensions



d		40	mm
D		68	mm
B		15	mm
D ₁	≈	57.6	mm
F		47	mm
r _{1,2}	min.	1	mm
r _{3,4}	min.	0.6	mm
s	max.	2.4	mm

Abutment dimensions



d _a	min.	43	mm
d _a	max.	46	mm
d _b	min.	49	mm
D _a	max.	62.3	mm
r _a	max.	1	mm
r _b	max.	0.6	mm

Calculation data

Basic dynamic load rating	C	25.1	kN
Basic static load rating	C	26	kN
Fatigue load limit	P _u	3	kN
Reference speed		12000	r/min
Limiting speed		18000	r/min
Calculation factor	k _r	0.15	
Limiting value	e	0.2	
Axial load factor	Y	0.6	

Mass

Mass bearing		0.23	kg
--------------	--	------	----