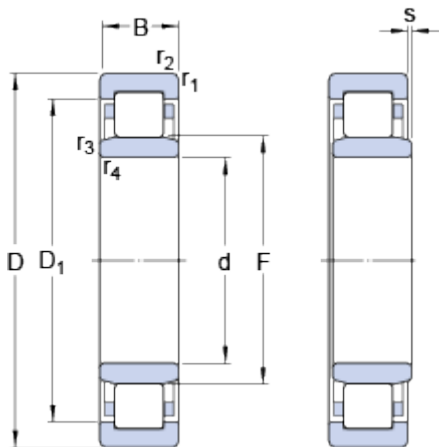


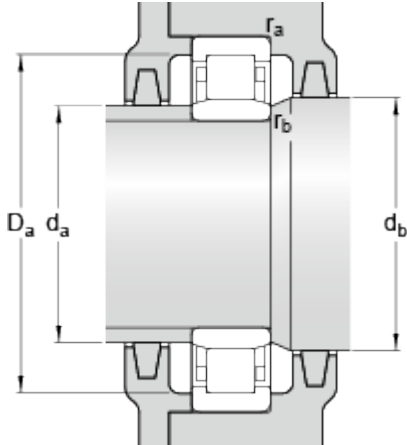
NU 1007 ECP

Dimensions



d		35	mm
D		62	mm
B		14	mm
D ₁	≈	53.95	mm
F		42	mm
r _{1,2}	min.	1	mm
r _{3,4}	min.	0.6	mm
s	max.	1	mm

Abutment dimensions



d _a	min.	38	mm
d _a	max.	41	mm
d _b	min.	44	mm
D _a	max.	56.5	mm
r _a	max.	1	mm
r _b	max.	0.6	mm

Calculation data

Basic dynamic load rating	C	35.8	kN
Basic static load rating	C	38	kN
Fatigue load limit	P _u	4.55	kN
Reference speed		13000	r/min
Limiting speed		13000	r/min
Calculation factor	k _r	0.1	
Limiting value	e	0.2	
Axial load factor	Y	0.6	

Mass

Mass bearing		0.16	kg
--------------	--	------	----