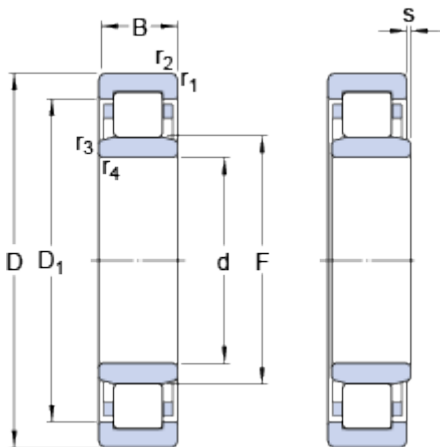


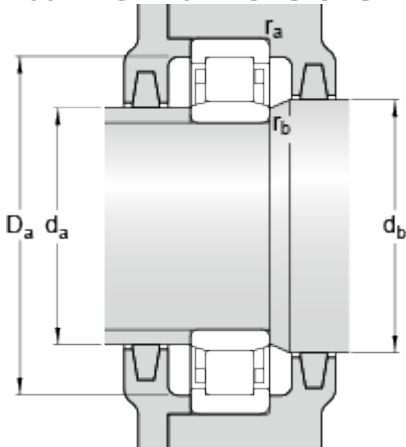
# NU 1006

## Dimensions



d	30	mm
D	55	mm
B	13	mm
D <sub>1</sub>	≈ 45.56	mm
F	36.5	mm
r <sub>1,2</sub>	min. 1	mm
r <sub>3,4</sub>	min. 0.6	mm
s	max. 1.6	mm

## Abutment dimensions



d <sub>a</sub>	min. 32.9	mm
d <sub>a</sub>	max. 35.6	mm
d <sub>b</sub>	min. 38	mm
D <sub>a</sub>	max. 49.8	mm
r <sub>a</sub>	max. 1	mm
r <sub>b</sub>	max. 0.6	mm

## Calculation data

Basic dynamic load rating	C	17.9	kN
Basic static load rating	C	17.3	kN
Fatigue load limit	P <sub>u</sub>	1.86	kN
Reference speed		15000	r/min
Limiting speed		15000	r/min
Calculation factor	k <sub>r</sub>	0.1	
Limiting value	e	0.2	
Axial load factor	Y	0.6	

## Mass

Mass bearing	0.11	kg
--------------	------	----