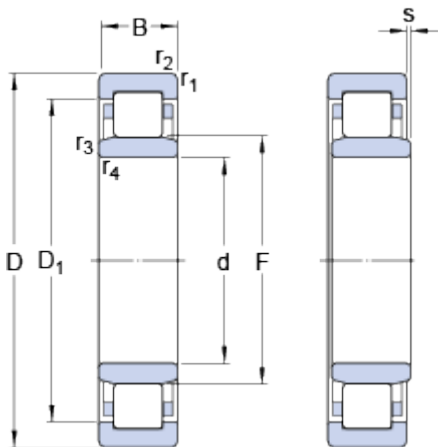


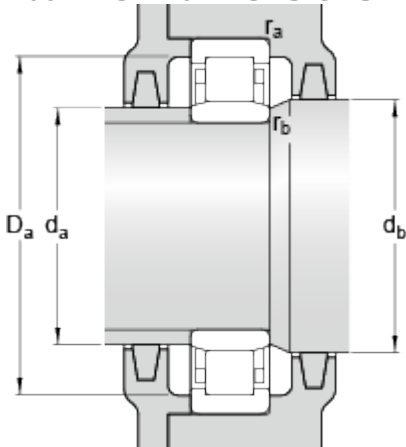
NU 1005

Dimensions



d	25	mm
D	47	mm
B	12	mm
D ₁	≈ 38.8	mm
F	30.5	mm
r _{1,2}	min. 0.6	mm
r _{3,4}	min. 0.3	mm
s	max. 1.5	mm

Abutment dimensions



d _a	min. 27.1	mm
d _a	max. 29.5	mm
d _b	min. 32	mm
D _a	max. 43.1	mm
r _a	max. 0.6	mm
r _b	max. 0.3	mm

Calculation data

Basic dynamic load rating	C	14.2	kN
Basic static load rating	C	13.2	kN
Fatigue load limit	P _u	1.4	kN
Reference speed		18000	r/min
Limiting speed		18000	r/min
Calculation factor	k _r	0.1	
Limiting value	e	0.2	
Axial load factor	Y	0.6	

Mass

Mass bearing	0.082	kg
--------------	-------	----