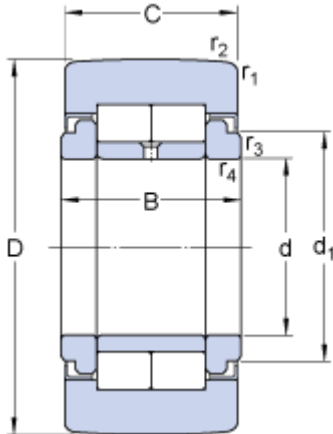


NUTR 45100 A

Dimensions



D		100	mm
d		45	mm
C		30	mm
B		32	mm
d ₁		55.2	mm
r _{1,2}	min.	1.1	mm
r, r _{3,4}	min.	0.6	mm

Calculation data

Basic dynamic load rating	C		73.7	kN
Basic static load rating	C		104	kN
Fatigue load limit	P _u		12.7	kN
Maximum dynamic radial loads	F _r	max.	80	kN
Maximum static radial loads	F _{0r}	max.	114	kN
Limiting speed			1700	r/min

Mass

Mass support roller			1.4	kg
---------------------	--	--	-----	----