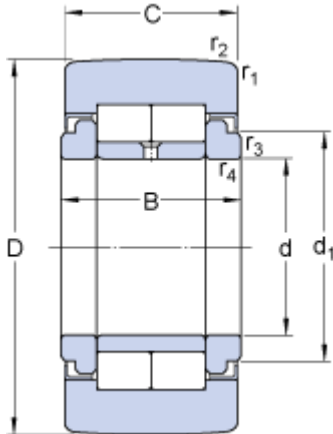


NUTR 40 A

Dimensions



D	80	mm
d	40	mm
C	30	mm
B	32	mm
d ₁	50.5	mm
r _{1,2}	min. 1.1	mm
r, r _{3,4}	min. 0.6	mm

Calculation data

Basic dynamic load rating	C	57.2	kN
Basic static load rating	C	72	kN
Fatigue load limit	P _u	9	kN
Maximum dynamic radial loads	F _r	max. 32	kN
Maximum static radial loads	F _{0r}	max. 45.5	kN
Limiting speed		1800	r/min

Mass

Mass support roller		0.82	kg
---------------------	--	------	----