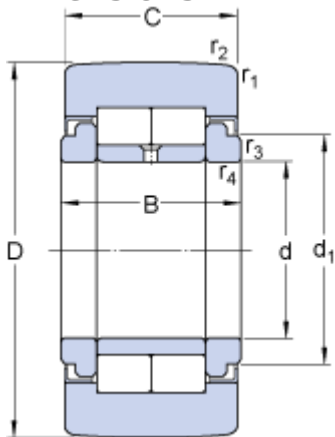


NUTR 4090 A

Dimensions



D		90	mm
d		40	mm
C		30	mm
B		32	mm
d ₁		50.5	mm
r _{1,2}	min.	1.1	mm
r, r _{3,4}	min.	0.6	mm

Calculation data

Basic dynamic load rating	C		68.2	kN
Basic static load rating	C		91.5	kN
Fatigue load limit	P _u		11.4	kN
Maximum dynamic radial loads	F _r	max.	63	kN
Maximum static radial loads	F _{0r}	max.	90	kN
Limiting speed			1800	r/min

Mass

Mass support roller			1.13	kg
---------------------	--	--	------	----