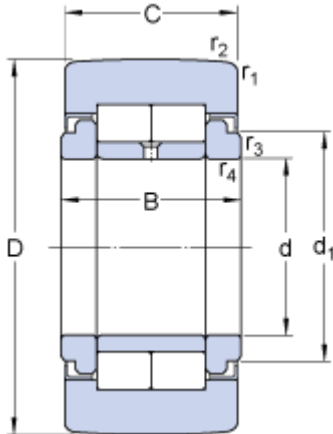


# NUTR 3580 A

## Dimensions



D	80	mm
d	35	mm
C	28	mm
B	29	mm
d <sub>1</sub>	44	mm
r <sub>1,2</sub>	min. 1.1	mm
r, r <sub>3,4</sub>	min. 0.6	mm

## Calculation data

Basic dynamic load rating	C	51.2	kN
Basic static load rating	C	68	kN
Fatigue load limit	P <sub>u</sub>	8.3	kN
Maximum dynamic radial loads	F <sub>r</sub>	max. 57	kN
Maximum static radial loads	F <sub>0r</sub>	max. 81.5	kN
Limiting speed		2000	r/min

## Mass

Mass support roller		0.84	kg
---------------------	--	------	----