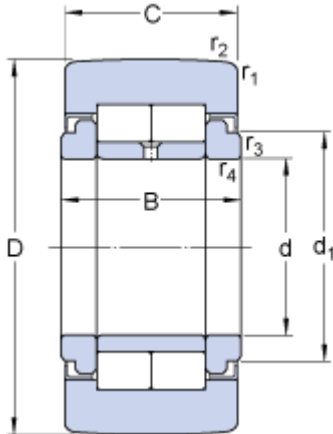


NUTR 30 A

Dimensions



D	62	mm
d	30	mm
C	28	mm
B	29	mm
d ₁	38	mm
r _{1,2}	min. 1	mm
r, r _{3,4}	min. 0.5	mm

Calculation data

Basic dynamic load rating	C	41.3	kN
Basic static load rating	C	47.5	kN
Fatigue load limit	P _u	5.85	kN
Maximum dynamic radial loads	F _r	max. 24	kN
Maximum static radial loads	F _{0r}	max. 34.5	kN
Limiting speed		2600	r/min

Mass

Mass support roller		0.47	kg
---------------------	--	------	----