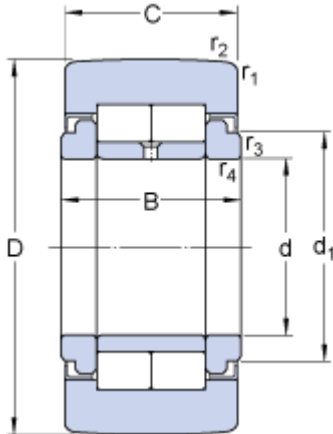


NUTR 25 A

Dimensions



| | | |
|---------------------|----------|----|
| D | 52 | mm |
| d | 25 | mm |
| C | 24 | mm |
| B | 25 | mm |
| d ₁ | 31 | mm |
| r _{1,2} | min. 1 | mm |
| r, r _{3,4} | min. 0.5 | mm |

Calculation data

| | | | |
|------------------------------|-----------------|-----------|-------|
| Basic dynamic load rating | C | 29.7 | kN |
| Basic static load rating | C | 36 | kN |
| Fatigue load limit | P _u | 4.25 | kN |
| Maximum dynamic radial loads | F _r | max. 18 | kN |
| Maximum static radial loads | F _{0r} | max. 25.5 | kN |
| Limiting speed | | 3200 | r/min |

Mass

| | | | |
|---------------------|--|------|----|
| Mass support roller | | 0.28 | kg |
|---------------------|--|------|----|