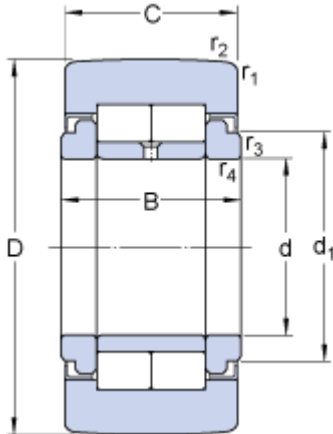


NUTR 20 A

Dimensions



D	47	mm
d	20	mm
C	24	mm
B	25	mm
d_1	27	mm
$r_{1,2}$	min. 1	mm
$r, r_{3,4}$	min. 0.5	mm

Calculation data

Basic dynamic load rating	C	28.6	kN
Basic static load rating	C	33.5	kN
Fatigue load limit	P_u	3.9	kN
Maximum dynamic radial loads	F_r	max. 17.6	kN
Maximum static radial loads	F_{0r}	max. 25	kN
Limiting speed		3800	r/min

Mass

Mass support roller		0.24	kg
---------------------	--	------	----