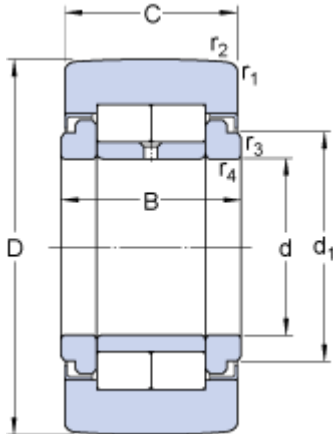


# NUTR 2052 A

## Dimensions



D	52	mm
d	20	mm
C	24	mm
B	25	mm
d <sub>1</sub>	27	mm
r <sub>1,2</sub>	min. 1	mm
r, r <sub>3,4</sub>	min. 0.5	mm

## Calculation data

Basic dynamic load rating	C	31.9	kN
Basic static load rating	C	39	kN
Fatigue load limit	P <sub>u</sub>	4.55	kN
Maximum dynamic radial loads	F <sub>r</sub>	max. 30	kN
Maximum static radial loads	F <sub>0r</sub>	max. 42.5	kN
Limiting speed		3800	r/min

## Mass

Mass support roller		0.32	kg
---------------------	--	------	----