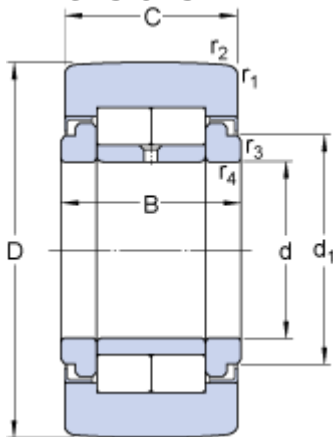


NUTR 1747 A

Dimensions



D	47	mm
d	17	mm
C	20	mm
B	21	mm
d ₁	22	mm
r _{1,2}	min. 1	mm
r, r _{3,4}	min. 0.5	mm

Calculation data

Basic dynamic load rating	C	22	kN
Basic static load rating	C	27	kN
Fatigue load limit	P _u	3.05	kN
Maximum dynamic radial loads	F _r	max. 30	kN
Maximum static radial loads	F _{0r}	max. 43	kN
Limiting speed		4500	r/min

Mass

Mass support roller		0.22	kg
---------------------	--	------	----