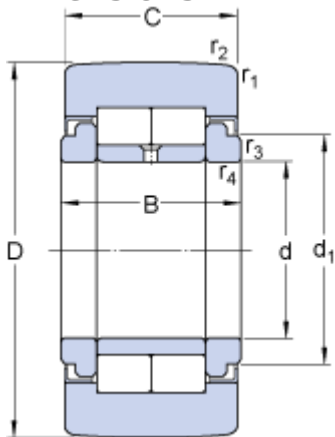


NUTR 1542 A

Dimensions



D	42	mm
d	15	mm
C	18	mm
B	19	mm
d ₁	20	mm
r _{1,2}	min. 0.6	mm
r, r _{3,4}	min. 0.3	mm

Calculation data

Basic dynamic load rating	C	20.1	kN
Basic static load rating	C	23.2	kN
Fatigue load limit	P _u	2.65	kN
Maximum dynamic radial loads	F _r	max. 21.6	kN
Maximum static radial loads	F _{0r}	max. 31	kN
Limiting speed		5000	r/min

Mass

Mass support roller		0.16	kg
---------------------	--	------	----