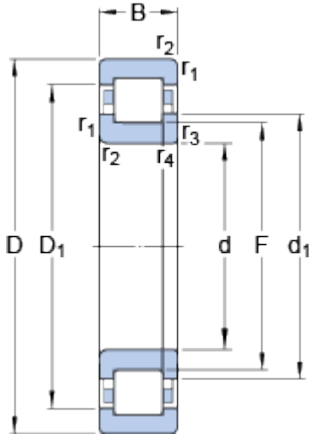


# NUP 315 ECP

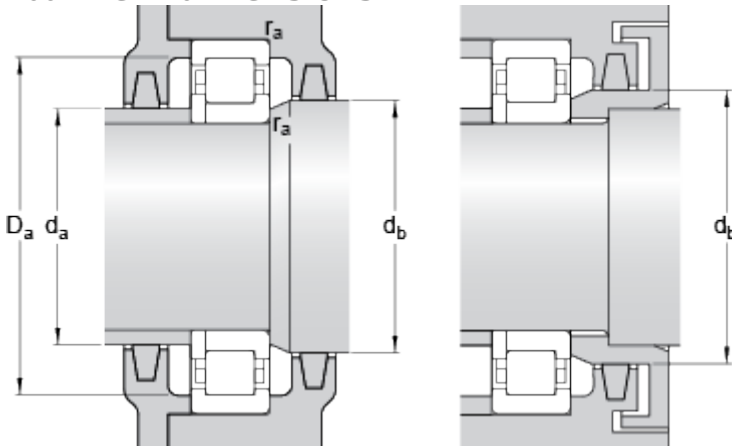
SKF Explorer

## Dimensions



d		75	mm
D		160	mm
B		37	mm
d <sub>1</sub>	≈	104	mm
D <sub>1</sub>	≈	135	mm
F		95	mm
r <sub>1,2</sub>	min.	2.1	mm
r <sub>3,4</sub>	min.	2.1	mm

## Abutment dimensions



d <sub>a</sub>	min.	87	mm
d <sub>b</sub>	min.	107	mm
D <sub>a</sub>	max.	148	mm
r <sub>a</sub>	max.	2	mm

## Calculation data

Basic dynamic load rating	C	280	kN
Basic static load rating	C	265	kN
Fatigue load limit	P <sub>u</sub>	33.5	kN
Reference speed		4500	r/min
Limiting speed		5300	r/min
Calculation factor	k <sub>r</sub>	0.15	
Limiting value	e	0.2	
Axial load factor	Y	0.6	

## Mass

Mass bearing		3.44	kg
--------------	--	------	----