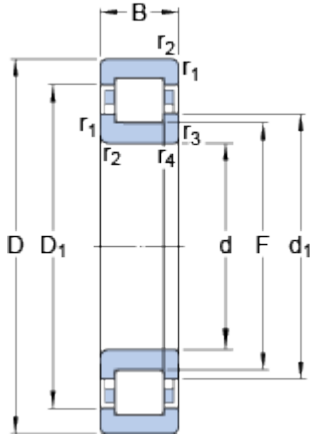


# NUP 314 ECP

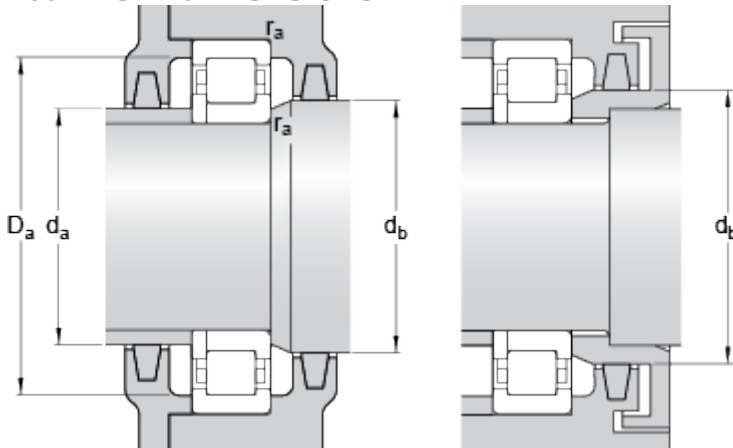
SKF Explorer

## Dimensions



d	70	mm
D	150	mm
B	35	mm
d <sub>1</sub>	≈ 97.3	mm
D <sub>1</sub>	≈ 125.6	mm
F	89	mm
r <sub>1,2</sub>	min. 2.1	mm
r <sub>3,4</sub>	min. 2.1	mm

## Abutment dimensions



d <sub>a</sub>	min. 82	mm
d <sub>b</sub>	min. 100	mm
D <sub>a</sub>	max. 137.5	mm
r <sub>a</sub>	max. 2	mm

## Calculation data

Basic dynamic load rating	C	236	kN
Basic static load rating	C	228	kN
Fatigue load limit	P <sub>u</sub>	29	kN
Reference speed		4800	r/min
Limiting speed		5600	r/min
Calculation factor	k <sub>r</sub>	0.15	
Limiting value	e	0.2	
Axial load factor	Y	0.6	

## Mass

Mass bearing	2.87	kg
--------------	------	----